

Square Body – Flush End Contact

690V (IEC) 1000-4000A



Size	Electrical Characteristics						Ordering Information						Curves
	Rated Current RMS-Norm. Cool.	Rated Current RMS-Liquid Cool.	I ² t (A ² S)		Watts Loss Norm. Cool.	Watts Loss Liquid Cool.	-B/- Visual Indicator	-BKN/- Type K Indicator for Micro	-G/- Visual Indicator	-GKN/- Type K Indicator for Micro	Carton Qty.	Carton Weight (kg)	BIF #
			Pre-arc	Clearing at 660V									
4	1000	1350	76000	505000	175	315	170M7058	170M7078	170M7098	170M7118	2	1.80	17056328
	1250	1700	145000	965000	195	355	170M7059	170M7079	170M7099	170M7119			
	1400	1900	205000	1400000	205	375	170M7060	170M7080	170M7100	170M7120			
	1600	2200	305000	2050000	220	405	170M7061	170M7081	170M7101	170M7121			
	2000	2700	600000	3950000	245	445	170M7062	170M7082	170M7102	170M7122			
	2500	3400	1200000	7800000	275	495	170M7063	170M7083	170M7103	170M7123			
	3000	4100	2000000	13500000	305	555	170M7064	170M7084	170M7104	170M7124			
	3500	4700	3250000	22000000	325	585	170M7065	170M7085	170M7105	170M7125			
	†4000	†5400	4700000	†28000000	355	640	170M7066	170M7086	170M7106	170M7126			

- Interrupting rating 200kA (Estimated 300kA) RMS Symmetrical.
 - Watts loss provided at rated current.
 - Rated voltage (IEC) †600V
 - Liquid Cool. = Liquid cooling. Temperature on the terminals not to exceed 60°C.
 - Microswitch indicator ordered separately.
- 1 kg = 2.2 lbs. 1 lb = 0.45 kg



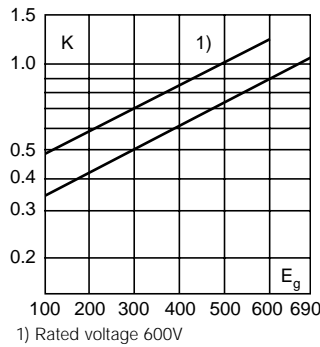
Square Body – Flush End Contact

690V (IEC) 1000-4000A

Electrical Characteristics

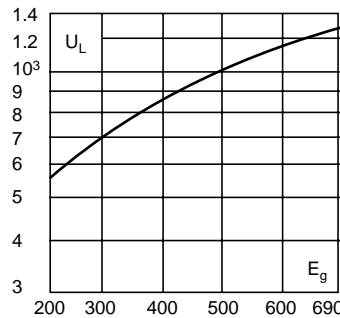
Total Clearing I²t

The total clearing I²t at rated voltage and at power factor of 15% are given in the electrical characteristics. For other voltages, the clearing I²t is found by multiplying by correction factor, K, given as a function of applied working voltage, E_g, (RMS).



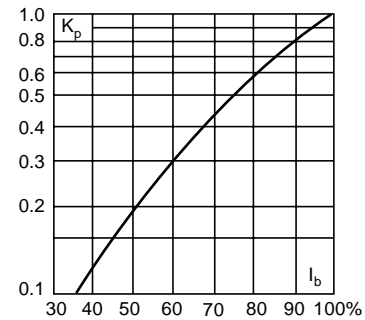
Arc Voltage

This curve gives the peak arc voltage, U_L, which may appear across the fuse during its operation as a function of the applied working voltage, E_g, (RMS) at a power factor of 15%.



Power Losses

Watts loss at rated current is given in the electrical characteristics. The curve allows the calculation of the power losses at load currents lower than the rated current. The correction factor, K_p, is given as a function of the RMS load current, I_b, in % of the rated current.

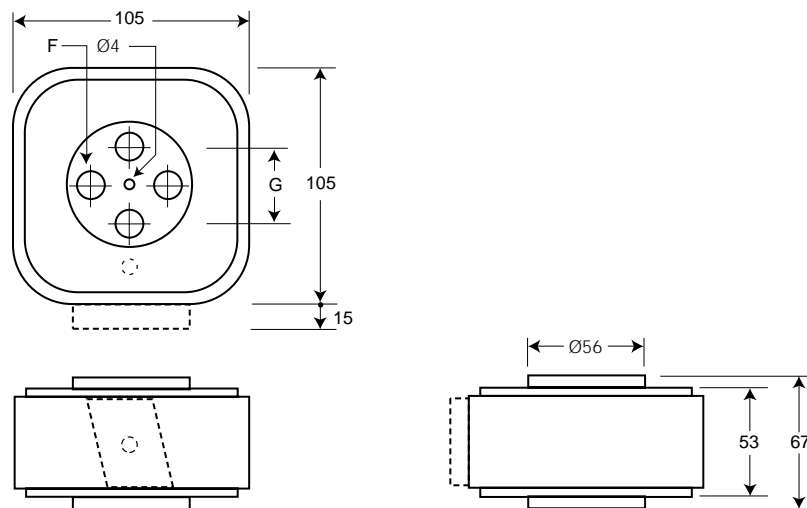


Dimensions

Flush End Contact: Type 4B/-, 4BKN/-, 4G/-, 4GKN/-

Size	F	G
4B	M10 10 deep	33
4G	1/2" -13 UNC-2B 10 deep	38

Dimension in mm.
1mm = 0.0394" 1" = 25.4mm



The only controlled copy of this BIF document is the electronic read-only version located on the Bussmann Network Drive. All other copies of this document are by definition uncontrolled. This bulletin is intended to clearly present comprehensive product data and provide technical information that will help the end user with design applications. Bussmann reserves the right, without notice, to change design or construction of any products and to discontinue or limit distribution of any products. Bussmann also reserves the right to change or update, without notice, any technical information contained in this bulletin. Once a product has been selected, it should be tested by the user in all possible applications.