

Click to view price, real time Inventory,
Delivery & Lifecycle Information ;

0673298000

Molex

USB-A (USB TYPE-A) USB 2.0 Receptacle Connector 4 Position
Through Hole, Right Angle

Any questions, please feel free to contact us.
info@kaimte.com

NOTES :

1. MATERIAL :

HOUSING : HIGH TEMPERATURE NYLON ,GLASS FIBER, UL94-V0 , COLOR: BLACK
 TERMINAL : PHOSPHOR BRONZE
 METAL SHELL : COPPER ALLOY

2. PLATING :

TERMINAL :

CONTACT AREA : (a) GOLD FLASH.
 (b) GLOD (Au), THICKNESS = 30 MICROINCH/0.76 MICROMETER
 SOLDER TAIL : PURE TIN(Sn), THICKNESS= 75 MICROINCH /1.9 MICROMETER

UNDER PLATE : NICKEL (Ni), THICKNESS= 50 MICROINCH/1.27 MICROMETER
 METAL SHELL :

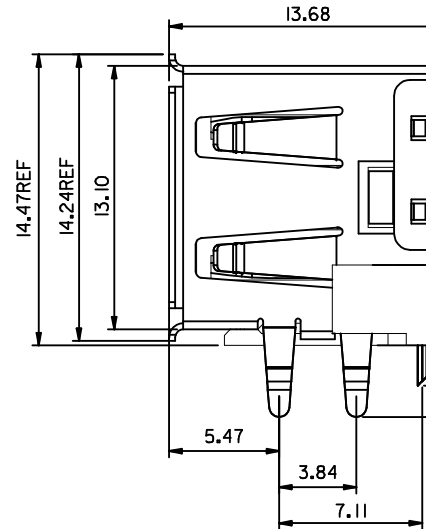
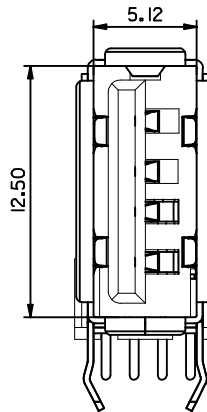
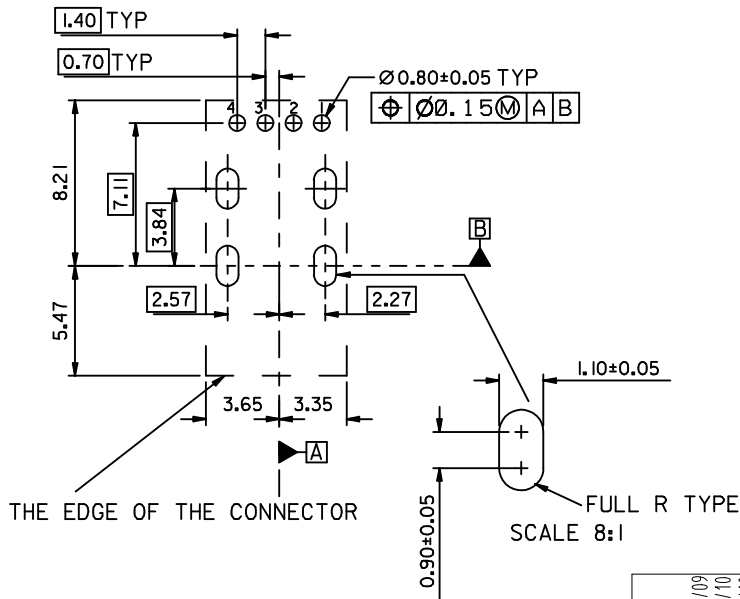
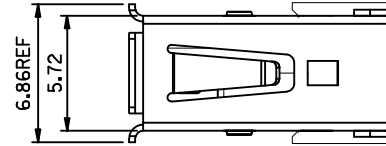
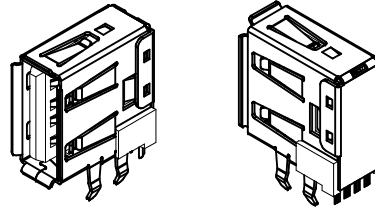
PURE TIN(Sn), THICKNESS=50-100MICROINCH /1.27-2.54 MICROMETER.

UNDER PLATE : NICKEL (Ni), THICKNESS= 50 MICROINCH/1.27 MICROMETER

3 RECOMMENDED PCB THICKNESS : 1.20±0.05mm & 1.60±0.05mm

4 PRODUCT SPECIFICATION : REFER TO PS-89485

5 PACKAGING SPECIFICATION : REFER TO PK-67329-001



PART NUMBER LEGEND:

P/N	CONTACT PLATING
67329-8000	GOLD FLASH
67329-8001	0.76 MICROMETER/30 MICROINCH GOLD

fb_frame_A3_P_AMLT
 Rev. D 2004/06/28

NEW RELEASE IEC NO: 2005/12/09 DR: WHP/IAN CHK: HARVEY APPR: HWANG 2006/01/10 2006/01/10	DESCRIPTION	QUALITY SYMBOLS	GENERAL TOLERANCES (UNLESS SPECIFIED)		DIMENSION STYLE	
		$\nabla=0$ $\sphericalangle=0$	mm	INCH	MM ONLY	
		4 PLACES ± ---	± ---	± ---	DRAWN BY	DATE
		3 PLACES ± ---	± ---	± ---	QIANHUIPING	2005/12/09
2 PLACES ± 0.25	± ---	± ---	CHECKED BY	DATE		
1 PLACE ± 0.25	± ---	± ---	HARVEY	2005/12/09		
ANGULAR ± 3 °			APPROVED BY	DATE		
DRAFT WHERE APPLICABLE MUST REMAIN WITHIN DIMENSIONS			GARY	2005/12/09		
			MATERIAL NO.			
			67329-800*			
			SIZE	THIS DRAWING CONTAINS INCORPORATED AND S		
			A3			