

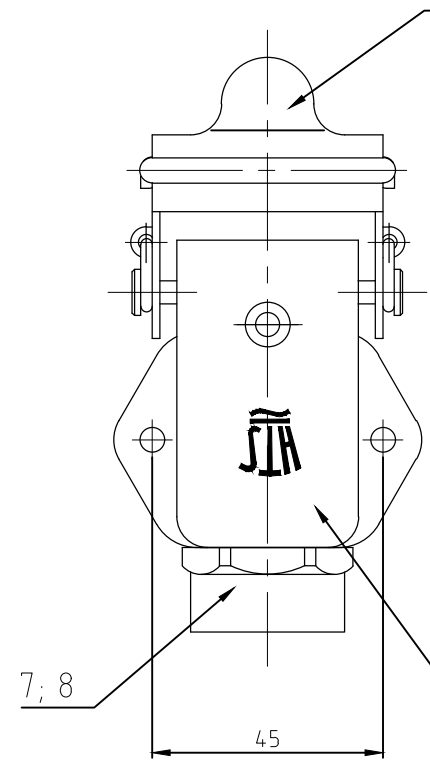
Click to view price, real time Inventory,  
Delivery & Lifecycle Information ;

**1-1102109-2**

**AMP / TE Connectivity**

Heavy Duty Power Connectors HOUSING SZ 1 PG11 HA.3.SG-  
LB.1.11.Z

Any questions, please feel free to contact us.  
info@kaimte.com



Notes:

- 1 Material: housing: zink diecast  
sealing: Neoprene
- 2 Finish: powder coated grey, black  
white alu
- 3 Packaging quantity 10 pieces

Bemerkungen:

- 1 Material: Zink-Druckguß Legierung  
Dichtung: Neoprene
- 2 Oberfläche: Pulverbeschichtet grau, schwarz  
weißaluminium
- 3 Packaging quantity 10 pieces

	OBSOLETE	OBSOLETE	OBSOLETE		
	1	+	+	-	Hutverschraubung P
	-	-	-	1	Zwischenstutzen ru
	-	1	1	-	6-Kt Zwischenstutz
	-	1	1	-	O-Ring
	-	1	1	-	LB-Bügel
	1	-	-	1	LB-Bügel
	-	1	-	-	Sockelgehäuse HA.3
	1	-	1	-	Sockelgehäuse HA.3
	-	-	-	1	Sockelgehäuse HA.3
	0-2	0-1	2-2	1-2	DESCRIPTION / BENEN
HA.3-SG-LB.1.11.Z	3	3	3	3	ORDERING TEXT / BESTELLTEXT
HA-K.3-SG-LB.1.11.Z	3	3	3	3	
HA-K.3-SG-LB.1.11.Z	3	3	3	3	
HA.3-SG-LB.1.11.Z	3	3	3	3	
					THIS DRAWING IS DIESE ZEICHNUNG IS
					DIMENSIONS: MASSENHHEITEN: mm
					MATERIAL
					-

# Mouser Electronics

Authorized Distributor

Click to View Pricing, Inventory, Delivery & Lifecycle Information:

[TE Connectivity:](#)

[1-1102109-2](#)