

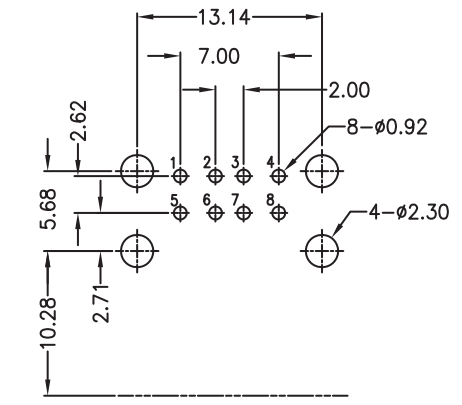
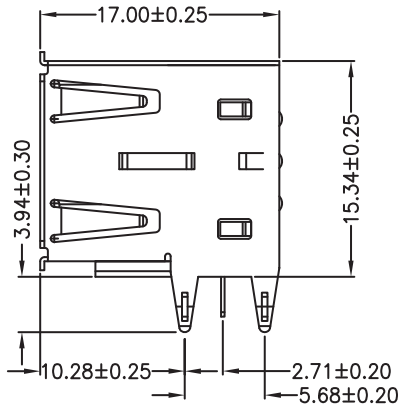
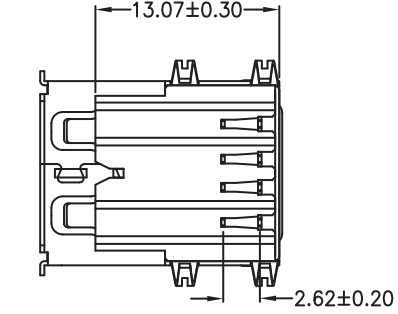
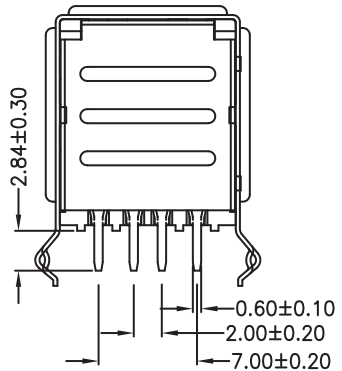
Click to view price, real time Inventory,
Delivery & Lifecycle Information ;

61400826021

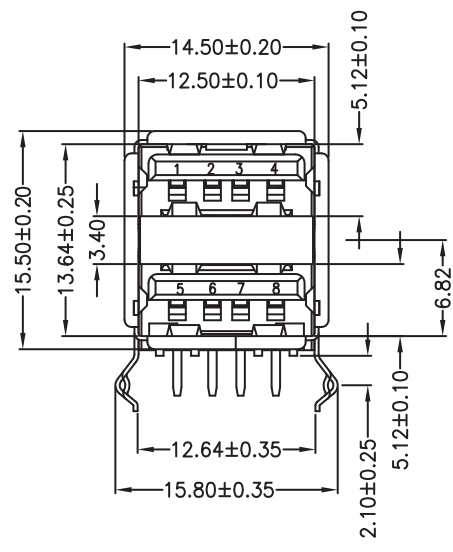
Würth Electronics

USB Connectors WR-COM Type A Dual 2x4 Horztl Stkd Femi

Any questions, please feel free to contact us.
info@kaimte.com



RECOMMENDED PCB LAYOUT
RECOMMENDED PCB THICKNESS : 1.6 mm



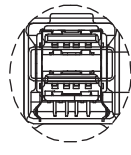
RoHS Compliant	
N	03-OCT-17
M	09-AVR-15
L	27-OCT-14
K	23-MAY-13
J	15-FEV-13
I	25-SEP-12
H	09-JAN-12
REV	DATE

TPK	AK
PCB THICKNESS	QP
REVIEW	QL
CURRENT RATING	QL
DESIGNATION	AR
DESCRIPTION	GG
NEW DRAWING	GG
FILE	BY

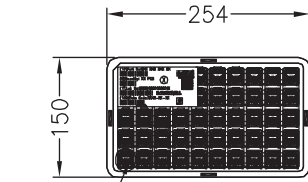
PROJECTION:
APPROVAL: NPr

GENERAL TOLERANCE
.X = +/- 0.2
.XX = +/- 0.15
UNIT: MM
SCALE:
SHEET: 1/3
DRAW: NPr

DESCRIPTION: DUAL USB
WERI PART NO: 614 008 26



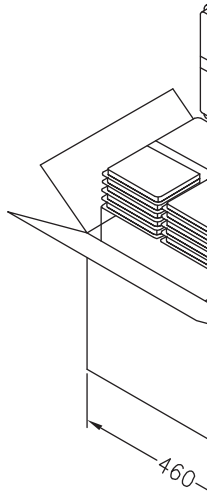
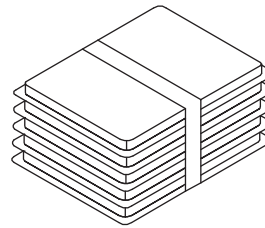
DETAIL D





DETAIL D



Box size: 150*254*20mm



Carton



RoHS Compliant				PROJECTION: 	GENERAL TOLERANCE .X = +/- 0.2 .XX = +/- 0.15	 DESCRIPTION: DUAL USB
G						
F						
E						
D						
C			APPROVAL: NPr	UNIT: MM	DESCRIPTION: DUAL USB	
B				SCALE:	WERI PART NO: 614 008 26	
A				SHEET: 2/3		
REV	DATE	FILE	BY	DRAW: AK		

Cautions and Warnings:

This electronic component is designed and developed with the intention for use in general electronics equipments.

Before incorporating the components into any equipments in the field such as aerospace, aviation, nuclear control, submarine, transportation, (automotive control, train control, ship control), transportation signal, disaster prevention, medical, public information network etc. where higher safety and reliability are especially required or if there is possibility of direct damage or injury to human body, Würth Elektronik must be asked for a written approval.

In addition, even electronic component in general electronic equipments, when used in electrical circuits that require high safety, reliability functions or performance, the sufficient reliability evaluation-check for the safety must be performed before by the user before usage.

RoHS Compliant				PROJECTION: 	GENERAL TOLERANCE .X = +/- 0.2 .XX = +/- 0.15	 WÜRTH ELEKTRONIK
G						
F						
E						
D						
C				APPROVAL: JC	UNIT: MM	DESCRIPTION: DISCLAI
B					SCALE:	
A	10-SEP-14	PDF	QL		SHEET: 3/3	WERI PART NO: DISCLAIM
REV	DATE	FILE	BY		DRAW: QL	

Mouser Electronics

Authorized Distributor

Click to View Pricing, Inventory, Delivery & Lifecycle Information:

[Wurth Electronics:](#)

[61400826021](#)